

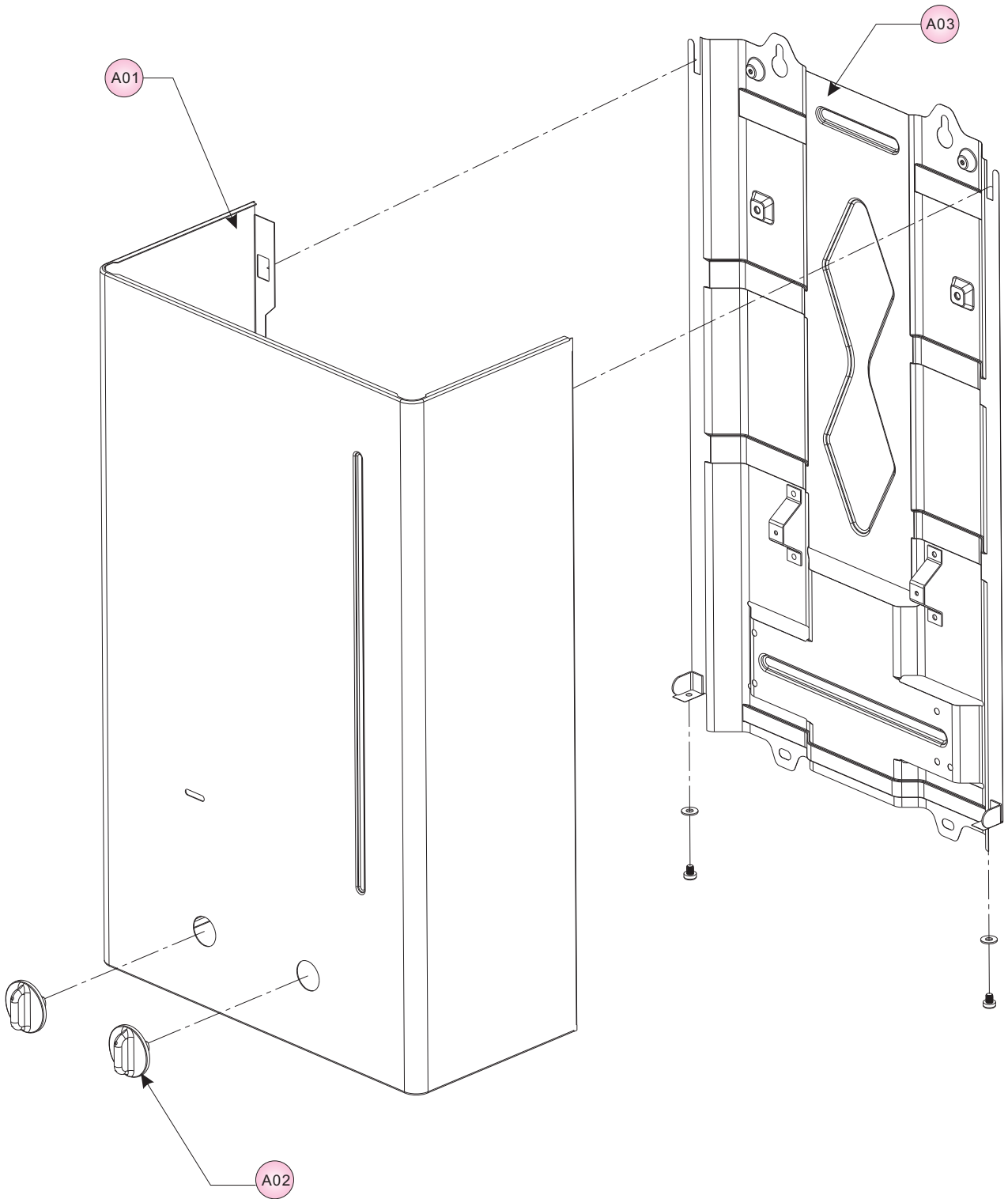
ferroli

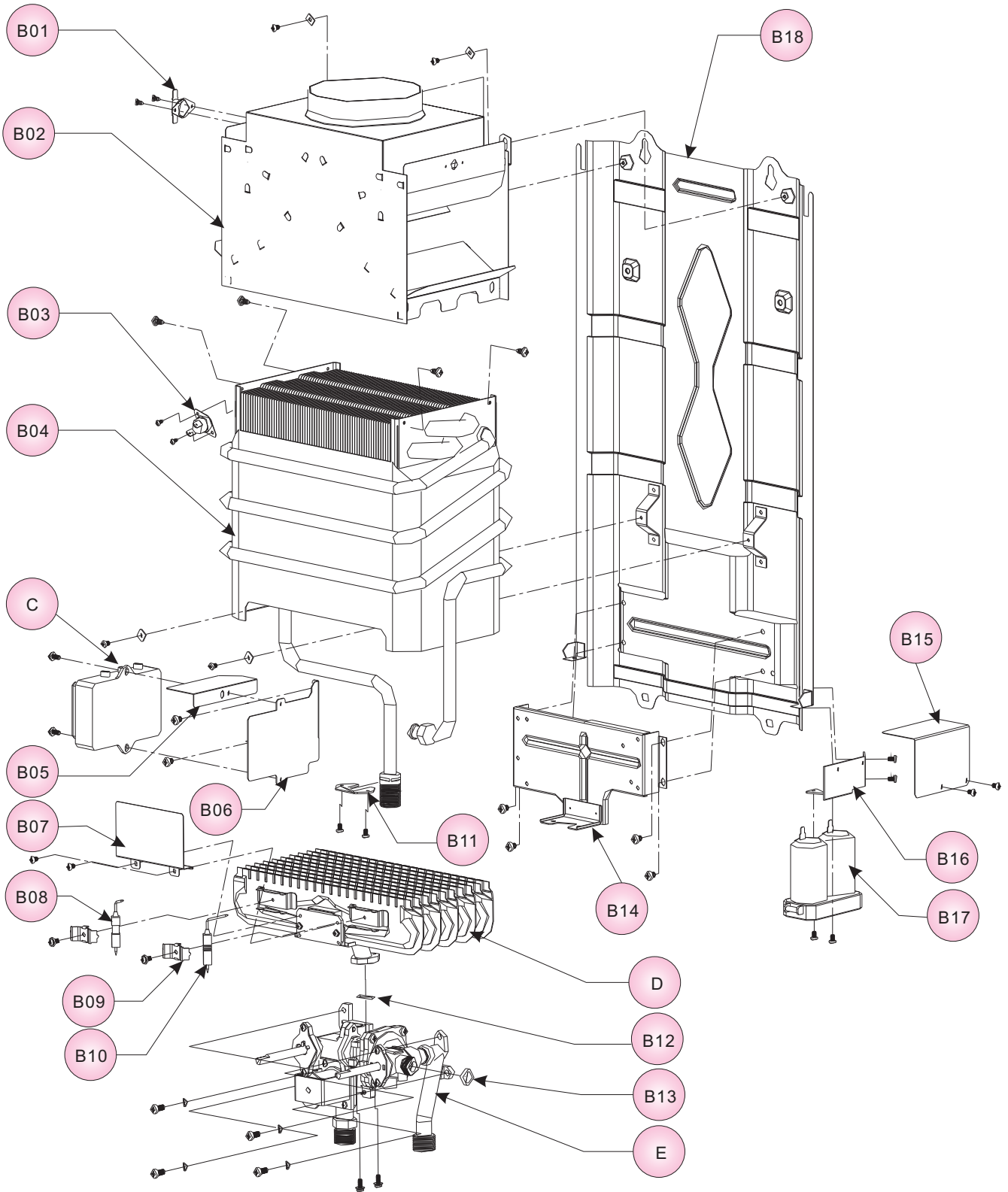
FERROLI 11L

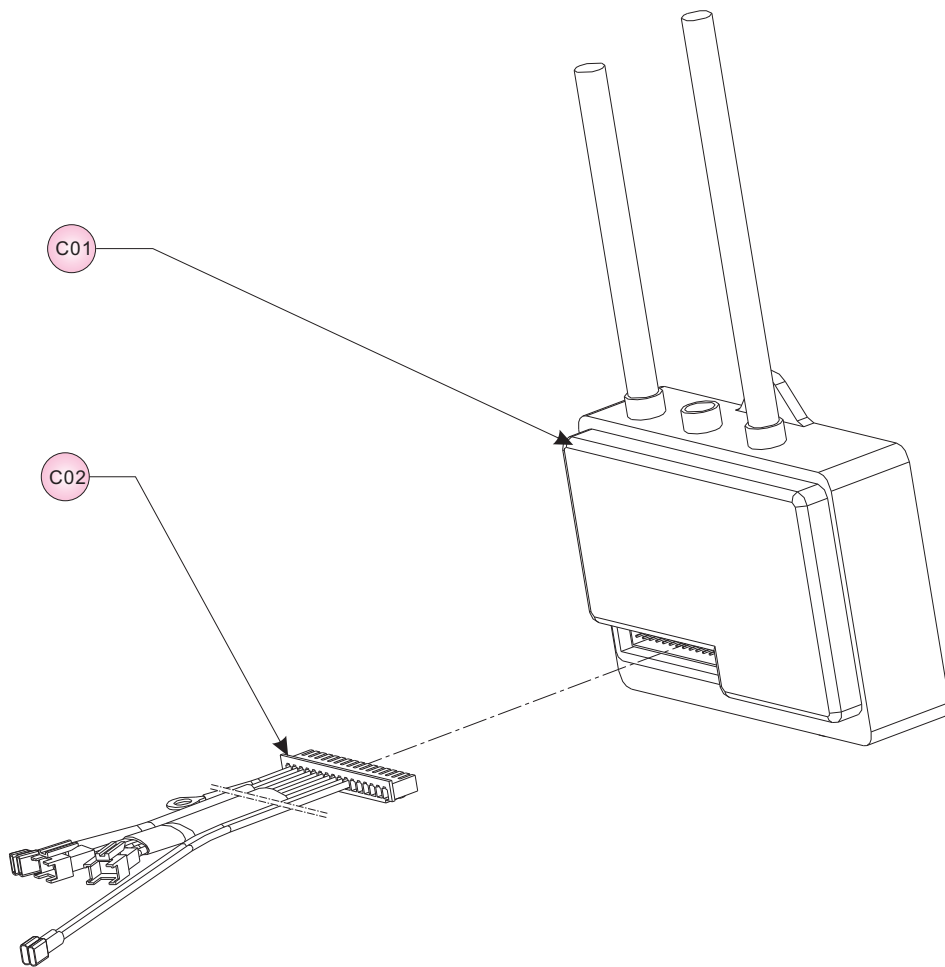
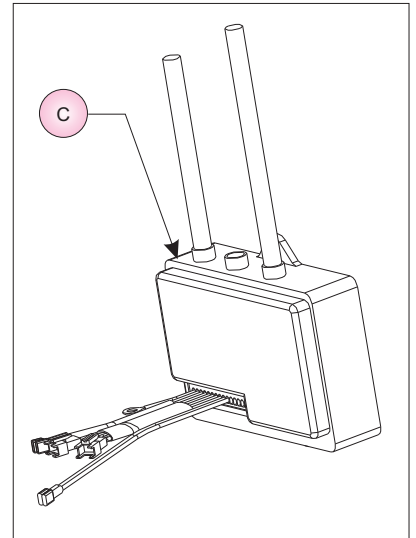
ZEFIRO C11

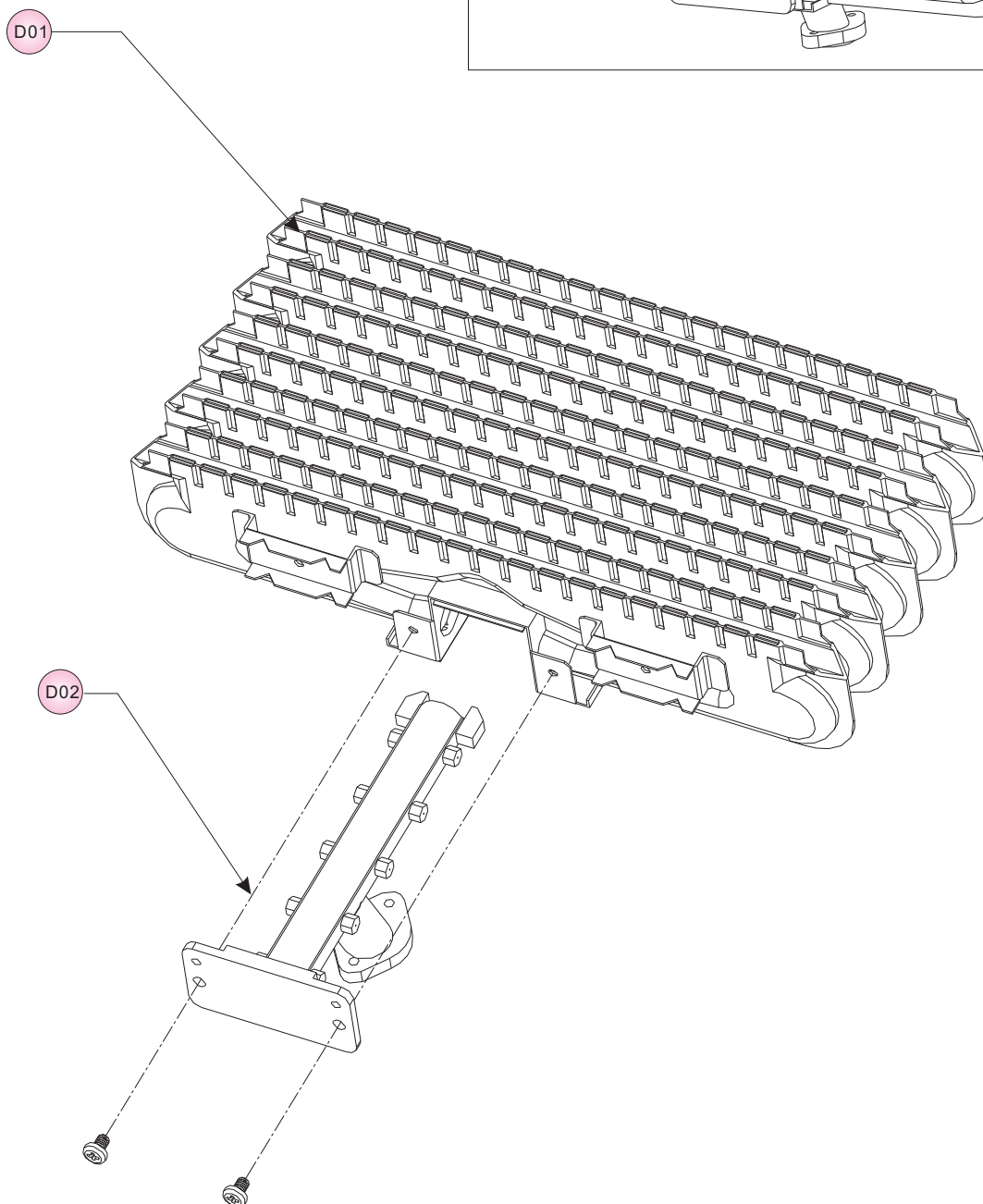
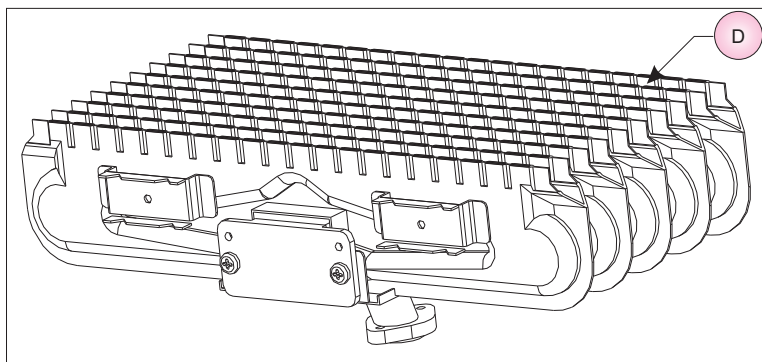


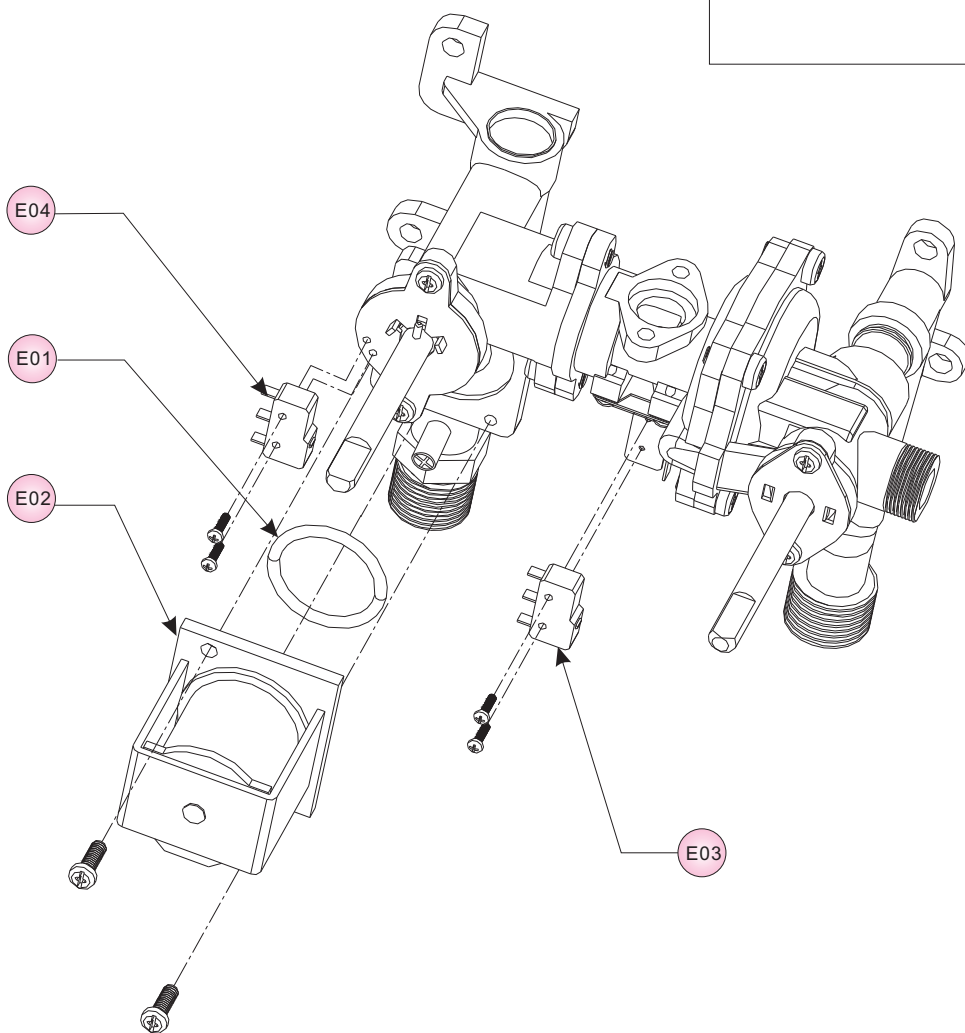
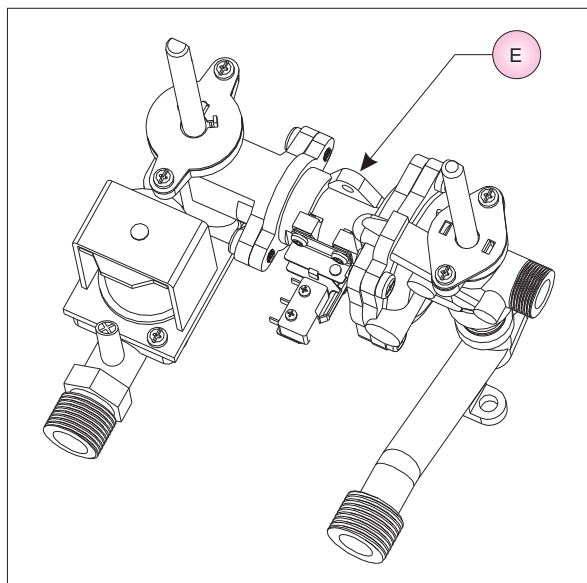
	:
GCU1MBYA	











			.
A01	41162460		1
A02	45360030		2
A03	90260670		1
B01	46360190	90°C	1
B02	90260610		1
B03	46360200	85°C	1
B04	90260620		1
B05	41160920	.	1
B06	41160910	.	1
B07	41160930		1
B08	46360170		1
B09	41160960		2
B10	46360180		1
B11	41160940		1
B12	45560230	(/)	1
B13	45560210	(/)	1
B14	41160900		1
B15	41160990		1
B16	41160950		1
B17	45260090		1
B18	90260670		1
C	90261430		1
C01	46560130		1
C02	46460460		1
D	90262240	(NG)	1
D01	41160360		1
D02	41163100	φ (1.32 NG)	1
E	90262270	φ (11 NG)	1
E01	45560250	.	1
E02	46560010		1
E03	46160020	(3)	1
E04	46160040	(2)	1